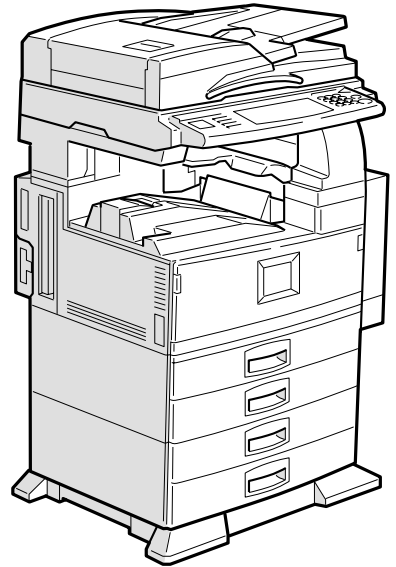




# Printer Unit Type 1045

## Operating Instructions Printer Reference 1



Read this manual carefully before you use this product and keep it handy for future reference.

For safety, please follow the instructions in this manual.



**Printer Unit Type 1045 Operating Instructions**



## Introduction

This manual contains detailed instructions on the operation and maintenance of this machine. To get maximum versatility from this machine all operators should carefully read and follow the instructions in this manual. Please keep this manual in a handy place near the machine.

Please read the Safety Information in the "Copy Reference" manual before using this machine. It contains important information related to USER SAFETY and PREVENTING EQUIPMENT PROBLEMS.

## Operator Safety

This machine is considered a class 1 laser device, safe for office/EDP use. The machine contains two GaAlAs laser diodes, 5-milliwatt, 760-800 nanometer wavelength for each emitter. Direct (or indirect reflected) eye contact with the laser beam might cause serious eye damage. Safety precautions and interlock mechanisms have been designed to prevent any possible laser beam exposure to the operator.

The following label is attached on the right side of the machine.



### Laser Safety:

The optical housing unit can only be repaired in a factory or at a location with the requisite equipment. The laser subsystem is replaceable in the field by a qualified Customer Engineer. The laser chassis is not repairable in the field. Customer engineers are therefore directed to return all chassis and laser subsystems to the factory or service depot when replacement of the optical subsystem is required.

### Warning:

Use of controls or adjustment or performance of procedures other than those specified in this manual might result in hazardous radiation exposure.

### Notes:

The model names of the machines do not appear in the following pages. Check the type of your machine before reading this manual. For details, see "Machine Types".)

- Type1: Aficio 1035
- Type2: Aficio 1045

Certain types might not be available in some countries. For details, please contact your local dealer.

Two kinds of size notation are employed in this manual. With this machine refer to the metric version.

For good copy quality, Ricoh recommends that you use genuine Ricoh toner.

Ricoh shall not be responsible for any damage or expense that might result from the use of parts other than genuine Ricoh parts in your Ricoh office product.

### Power Source

220 - 240V, 60Hz, 8A or more

Please be sure to connect the power cord to a power source as above. For details about power source, see "Power Connection" in the "Copy Reference" manual.



Declaration of Conformity

“The Product complies with the requirements of the EMC Directive 89/336/EEC and the Low Voltage Directive 73/23/EEC.”

In accordance with IEC 60417, this machine uses the following symbols for the main power switch:

**I** means **POWER ON.**

**⏻** means **STAND BY.**

# Trademarks

Microsoft<sup>®</sup>, Windows<sup>®</sup> and Windows NT<sup>®</sup> are registered trademarks of Microsoft Corporation in the United States and/or other countries.

Adobe<sup>®</sup>, PostScript<sup>®</sup>, Acrobat<sup>®</sup> and PageMaker<sup>®</sup> are registered trademarks of Adobe Systems Incorporated.

PCL<sup>®</sup> is a registered trademark of Hewlett-Packard Company.

AppleTalk, Apple, Macintosh and TrueType are registered trademarks of Apple Computer, Incorporated.

IPS-PRINT<sup>™</sup> Printer Language Emulation<sup>®</sup> Copyright 1999-2000, XIONICS DOCUMENT TECHNOLOGIES, INC., All Rights Reserved.

Ethernet<sup>®</sup> is a registered trademark of Xerox Corporation.

Other product names used herein are for identification purposes only and might be trademarks of their respective companies. We disclaim any and all rights in those marks.

---

## Notes:

---

Some illustrations might be slightly different from your machine.

Certain options might not be available in some countries. For details, please contact your local dealer.

---

## Note

---

The proper names of the Windows operating systems are as follows:

- Microsoft<sup>®</sup> Windows<sup>®</sup> 95 operating system
- Microsoft<sup>®</sup> Windows<sup>®</sup> 98 operating system
- Microsoft<sup>®</sup> Windows<sup>®</sup> Millennium Edition (Windows Me)
- Microsoft<sup>®</sup> Windows<sup>®</sup> 2000 Professional
- Microsoft<sup>®</sup> Windows<sup>®</sup> 2000 Server
- Microsoft<sup>®</sup> Windows NT<sup>®</sup> Server operating system Version 4.0
- Microsoft<sup>®</sup> Windows NT<sup>®</sup> Workstation operating system Version 4.0

# Manuals for This Machine

The following manuals describe the operational procedures and maintenance of this machine.

To enhance safe and efficient operation of this machine, all users should read and follow the instructions carefully.

## ❖ **Copy Reference**

Describes the procedures and functions for using this machine as a copier.

## ❖ **System Settings**

Describes the system settings of this machine.

## ❖ **Printer Reference 1 (this manual)**

Describes the system settings, procedures and functions for using this machine as a printer.

## ❖ **Printer Reference 2**

Describes the procedures and provides necessary information about using this machine as a printer. This manual is included as a PDF file on the CD-ROM labeled "Operating Instructions".

## ❖ **Network Printing Guide Operating Instructions**

Describes the procedures and provides necessary information about setting up and using the printer under the network environment. We recommend this manual as your first choice, and it is included as a PDF file on the CD-ROM labeled "Operating Instructions".

## ❖ **PostScript 3 Unit Type 1045 Operating Instructions Supplement**

Describes the menus and features you can set using the PostScript printer driver. This manual is provided as a PDF file on the CD-ROM labeled "Operating Instructions".

## ❖ **UNIX Supplement**

Provides information about setting up and using the printer in a UNIX environment. This manual is included as a PDF file on the CD-ROM labeled "Operating Instructions".

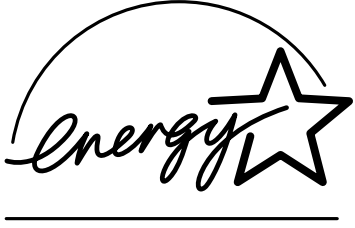
## ❖ **Network TWAIN Scanner Reference**

Describes the procedures and provides necessary information about using this machine as a network scanner. This manual is included as a PDF file on the CD-ROM labeled "Scanner Drivers & Utilities".

## **Note**

☐ There are four CD-ROMs that come with this machine.

# ENERGY STAR Program

 <p>ENERGY STAR®</p>	<p>As an ENERGY STAR Partner, we have determined that this machine model meets the ENERGY STAR Guidelines for energy efficiency.</p>
---	--

The ENERGY STAR Guidelines intend to establish an international energy-saving system for developing and introducing energy-efficient office equipment to deal with environmental issues, such as global warming.

When a product meets the ENERGY STAR Guidelines for energy efficiency, the Partner shall place the ENERGY STAR logo onto the machine model.

This product was designed to reduce the environmental impact associated with office equipment by means of energy-saving features, such as Low-power mode.

- Low Power mode**  
 This product automatically lowers its power consumption 15 minutes after the last copying or printing job has been completed. Printing is available in this mode, but if you use the copier, press the **[Clear Modes/Energy Saver]** key. For how to change the default interval before entering Low Power mode, see “Low Power Shift Time” in ⇒ P.iii “ENERGY STAR Program”.
- Auto Off mode**  
 To conserve energy, this product automatically turns off 90 minutes after the last copying or printing job has been completed. Printing is available in this mode, but if you use the copier, press the operation switch. For how to change the default interval before entering Auto Off mode, see “Auto Off Timer” in ⇒ P.iii “ENERGY STAR Program”.
- Duplex Priority**  
 To conserve paper resources, the Duplex function (1-Sided → 2-Sided) can be selected preferentially when you turn on the operation switch or the main power switch, press the **[Clear Modes/Energy Saver]** key, or the machine resets itself automatically. To change Duplex Priority mode, see “Duplex Mode Priority” in the Copy Reference manual.

## ❖ Specification

		Type 1	Type 2
Low Power mode	Power consumption	213 Wh	236 Wh
	Default interval	15 minutes	
	Recovery time	25 seconds or less	10 seconds or less
Auto Off mode	Power consumption	11.5 Wh	
	Default interval	90 minutes	

Duplex Priority	1 Sided→1 Sided
-----------------	-----------------

---

## **Recycled Paper**

---

In accordance with the ENERGY STAR Program, we recommend use of recycled paper which is environment friendly. Please contact your sales representative for recommended paper.

# How to Read This Manual

---

## Symbols

---

In this manual, the following symbols are used:

### **WARNING:**

This symbol indicates a potentially hazardous situation which, if instructions are not followed, could result in death or serious injury.

### **CAUTION:**

This symbol indicates a potentially hazardous situation which, if instructions are not followed, may result in minor or moderate injury or damage to property.

\* The statements above are notes for your safety.

### **Important**

If this instruction is not followed, paper might be misfed, originals might be damaged, or data might be lost. Be sure to read this.

### **Preparation**

This symbol indicates the prior knowledge or preparations required before operating.

### **Note**

This symbol indicates precautions for operation, or actions to take after misoperation.

### **Limitation**

This symbol indicates numerical limits, functions that cannot be used together, or conditions in which a particular function cannot be used.

### **Reference**

This symbol indicates a reference.

[   ]

Keys that appear on the machine's panel display.

Keys and buttons that appear on the computer's display.

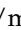



[   ]

Keys built into the machine's operation panel.

Keys on the computer's keyboard.

# Machine Types

This machine comes in two models which vary in copy speed. To make sure which model you have, see the inside front cover.

	Type 1	Type 2
Copy speed	35 copies/minute (A4  , 8 1/2" x 11"  )	45 copies/minute (A4  , 8 1/2" x 11"  )

# TABLE OF CONTENTS

## 1. Getting Started

---

<b>Features of This Machine .....</b>	<b>1</b>
<b>Printer Drivers for This Machine.....</b>	<b>2</b>
<b>Software and Utilities Included on the CD-ROM.....</b>	<b>4</b>
<b>Guide to This Machine .....</b>	<b>6</b>
Option.....	6
Control Panel .....	6
Display Panel .....	7
<b>Connecting the Machine .....</b>	<b>10</b>
Requirements.....	10
Connecting the Network Interface Cable to the Network .....	11
Connecting the Machine to the Host Using the Parallel Interface Cable ....	13
Connecting the 1394 Interface Cable to the Machine .....	13

## 2. Installing the Printer Driver and Software

---

<b>Installation Method.....</b>	<b>15</b>
<b>Installing by Auto Run .....</b>	<b>17</b>
<b>Installing the PCL 6/5e Printer Driver .....</b>	<b>18</b>
Windows 95/98/Me - Installing the PCL 6/5e Printer Driver .....	18
Windows 2000 - Installing the PCL 6/5e Printer Driver .....	19
Windows NT 4.0 - Installing the PCL 6/5e Printer Driver .....	20
<b>Installing the RPCS Printer Driver .....</b>	<b>22</b>
Windows 95/98/Me - Installing the RPCS Printer Driver .....	22
Windows 2000 - Installing the RPCS Printer Driver .....	23
Windows NT 4.0 - Installing the RPCS Printer Driver .....	24
<b>Installing the PostScript Printer Driver .....</b>	<b>25</b>
Windows 95/98/Me - Installing the PostScript Printer Driver.....	25
Windows 2000 - Installing the PostScript Printer Driver.....	27
Windows NT 4.0 - Installing the PostScript Printer Driver.....	29
<b>Using Adobe PageMaker Version 6.0 or 6.5.....</b>	<b>32</b>
<b>Macintosh.....</b>	<b>33</b>
Macintosh - Installing the PostScript Printer Driver .....	33
Setting Up the PPD File .....	33
Setting Up Options .....	34
<b>INDEX.....</b>	<b>35</b>



# 1. Getting Started

## Features of This Machine

This Machine is designed especially for office workgroups, both for shared usage within a network environment, and for one-to-one usage by being connected directly to the computer.

### ❖ **Standard compatibility with Windows 95/98/Me, Windows 2000 and Windows NT 4.0**

As the printer drivers for the above operating systems are included, it is possible to print to the maximum capacity with the special features of this machine.

### ❖ **Networks Connectivity**

This machine can be used as a network printer.

It can print from any environment as it supports at the same time NetWare (TCI/IP, IPX/SPX), Windows 95/98/Me, (TCI/IP, NetBEUI), Windows 2000, (TCI/IP, NetBEUI), Windows NT4.0 (TCI/IP, NetBEUI), UNIX (TCI/IP), Macintosh (AppleTalk).

If you register the user code together with the client, you can manage the amount of each printing job.

### ❖ **Use the Network Utilities included at your own convenience.**

When you use the network utilities "SmartNetMonitor for Client" and "SmartNetMonitor for Admin", you can parallel print, which allows you to scatter large amounts of print sets via multiple printers or alternative print, which allows you to use another printer when you can't access the network printer you are trying to use. Also, while at your workstation or desk, the machine will notify you, when the print job has been completed.

### ❖ **Complete Paper Handling Option**

When connecting the Booklet Finisher (option), not only can you collate, but also staple and punch.

Moreover, when connecting the Mailbox (option), you can separate the destination of the printout together with the client.

### ❖ **Using the Document Box**

The Document Box is a function where sent files are stored in the memory of the machine, and allows printing them later by configuring their conditions. As you can assign a password to each file, even when this machine is used as a network printer, it provides you with a high level sense of security. Also, you can make combined prints with files scanned with this machine.

# Printer Drivers for This Machine

Printing requires installation of a printer driver for your operating system. The following drivers are included on the CD-ROM that comes with this machine.

Printer Language	PCL 6	PCL 5e	RPCS	PostScript 3
<b>Operating system</b>				
Windows 95 <sup>*1</sup>	√	√	√	√ <sup>*8</sup>
Windows 98 <sup>*2</sup>	√	√	√	√ <sup>*8</sup>
Windows Me <sup>*3</sup>	√	√	√	√ <sup>*8</sup>
Windows 2000 <sup>*4</sup>	√	√	√	√ <sup>*8</sup>
Windows NT 4.0 <sup>*5</sup>	√	√	√	√ <sup>*7 *8</sup>
Mac OS <sup>*6</sup>				√ <sup>*8</sup>

<sup>\*1</sup> Microsoft Windows 95 operating system

<sup>\*2</sup> Microsoft Windows 98 operating system

<sup>\*3</sup> Microsoft Windows Millennium Edition

<sup>\*4</sup> Microsoft Windows 2000 professional  
Microsoft Windows 2000 Server

<sup>\*5</sup> Microsoft Windows NT Server operating system version 4.0, Microsoft Windows NT Workstation operating system version 4.0 in a computer using x86 processors.

<sup>\*6</sup> Required version is 7.6.1 or later operating system.

<sup>\*7</sup> Requires Service Pack 4 or later.

<sup>\*8</sup> The Adobe PostScript printer drivers and PostScript Printer Description (PPD) files are included on the CD-ROM labeled "Operating Instructions".

## ❖ PCL printer drivers

Printer drivers allow the computer to communicate with the printer via a printer language. Two kinds of PCL printer drivers, PCL 6 and PCL 5e, are provided with this machine. We recommend PCL 6 as your first choice.

### Note

- ☐ Some of your applications might require the installation of the PCL 5e printer driver. In this case, you can install PCL 5e in addition to PCL 6.
  - ⇒ P.18 "Windows 95/98/Me - Installing the PCL 6/5e Printer Driver"
  - ⇒ P.19 "Windows 2000 - Installing the PCL 6/5e Printer Driver"
  - ⇒ P.20 "Windows NT 4.0 - Installing the PCL 6/5e Printer Driver"

## ❖ RPCS printer driver

This printer driver allows the computer to communicate with the printer via a printer language. The preset type user interface is provided in addition to the conventional one.

- ⇒ P.22 "Windows 95/98/Me - Installing the RPCS Printer Driver"
- ⇒ P.23 "Windows 2000 - Installing the RPCS Printer Driver"
- ⇒ P.24 "Windows NT 4.0 - Installing the RPCS Printer Driver"

**❖ Adobe PostScript Printer Drivers and PPD files**

The Adobe Postscript printer drivers and the PPD files are included on the CD-ROM that comes with this machine. Adobe PostScript printer driver allows the computer to communicate with the printer via a printer language. The PPD files allow the printer driver to enable the printer specific functions.

⇒ P.25 *"Windows 95/98/Me - Installing the PostScript Printer Driver"*

⇒ P.27 *"Windows 2000 - Installing the PostScript Printer Driver"*

⇒ P.29 *"Windows NT 4.0 - Installing the PostScript Printer Driver"*

⇒ P.33 *"Macintosh"*

# Software and Utilities Included on the CD-ROM

1

There are four CD-ROMs that comes with this machine. One is labeled “Operating Instructions” and the other is “Printer Drivers and Utilities”. The following items are included on the two CD-ROMs separately.

## ❖ LAN-Fax Driver

This utility enables you to fax documents directly from your PC. This manual is provided as a PDF file on the CD-ROM labeled “Printer Drivers and Utilities”.

## ❖ Agfa Font Manager

Helps you to install new screen fonts, or organize and manage fonts already installed on the system. This manual is provided as a PDF file on the CD-ROM labeled “Printer Drivers and Utilities”.

## ❖ SmartNetMonitor for Admin

A utility for the system administrator to manage printers on the network. This manual is provided as a PDF file on the CD-ROM labeled “Printer Drivers and Utilities”.



### Reference

For the actual name of the SmartNetMonitor for Admin application, see the inside of front cover of this manual.

See SmartNetMonitor for Admin online Help for more information about using the SmartNetMonitor for Admin.

## ❖ SmartNetMonitor for client

A utility for users to manage their own print status on the network. This manual is provided as a PDF file on the CD-ROM labeled “Printer Drivers and Utilities”.



### Reference

For the actual name of the SmartNetMonitor for client application, see the inside of front cover of this manual.

See SmartNetMonitor for client online Help for more information about using the SmartNetMonitor for client.

## ❖ DeskTop Binder V2 Lite

This utility enables you to manage various types of documents, such as scanned data, image files and application files. This manual is provided as a PDF file on the CD-ROM labeled “Printer Drivers and Utilities”.

❖ **Address Book**

This utility enables you to easily store and recall names and numbers for use with the LAN-Fax utility. This manual is provided as a PDF file on the CD-ROM labeled "Printer Drivers and Utilities".

❖ **Utility 1394**

XX.

❖ **Acrobat Reader**

A utility that allows you to read PDF (Portable Document Format). This manual is provided as a PDF file on the CD-ROM labeled "Operating Instructions".

 **Note**

- Documentation about using the printer is included on the CD-ROM in PDF format. See Acrobat Reader online Help for more information about using Acrobat Reader.

 **Important**

- If you upgrade to Windows 2000 from Windows 95/98/Me or Windows NT 4.0, the software and utilities must be uninstalled prior to installing Windows 2000. Then reinstall them in a Windows 2000 environment.

# Guide to This Machine

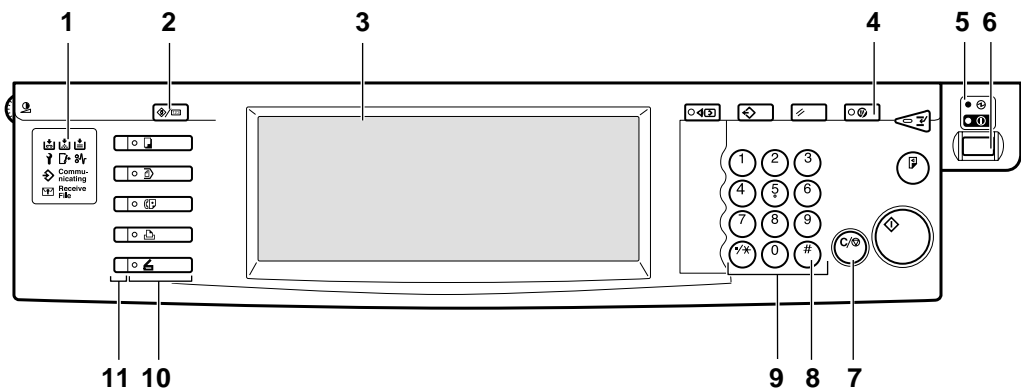
## 1

### Option

#### ❖ Output Paper Device

- Mailbox (CS360)

### Control Panel



ZCAS030E

#### 1. Indicators

These indicators show errors or the status of the machine. See *“Troubleshooting”*.

#### 2. [User Tools/Counter] key

- User Tools  
Press to change the default settings and conditions to meet your requirements.
- Counter  
Press to check or print the total number of copies made.

#### 3. Display panel

Shows operation status, error messages, and function menus. See *“Display Panel”*.

#### 4. [Energy Saver] key

Press to switch to and from Energy Saver mode. See *“Energy Saver Mode”* in the *“Copy Reference”* manual.

#### 5. Main power indicator

This indicator goes on when the main power switch is turned on, and goes off when the switch is turned off.

#### 6. Operation switch

Press this switch to turn the power on (the **On** indicator goes on). To turn the power off, press this switch again (the **On** indicator goes off).

#### 7. [Clear/Stop] key

Press to delete a number entered.

#### 8. [#] key

Press to enter a value.

#### 9. Number keys

Use to enter the desired number of copies and data for selected modes.

## 10. Function keys

Press the appropriate key to choose any of the following functions:

- Copy
- Document Box
- Facsimile
- Printer

- Scanner

## 11. Function Status indicator

These show the status of the above functions:

- Green: the function is active.
- Red: the function has been interrupted.

## Display Panel

The display panel shows the status of the machine, error messages and function menus.

### Important

- Do not apply a strong shock or force of about 30 N (about 3 kgf) or more to the display panel. Otherwise, the display might be damaged.

### Note

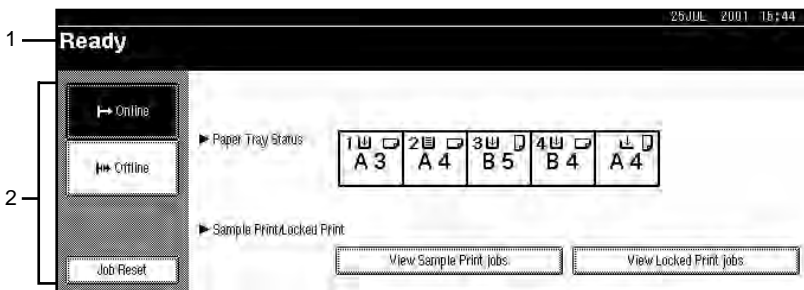
- The function items displayed serve as selector keys. You can select or specify an item by lightly pressing it.
- When you select or specify an item on the display panel, it is highlighted like .
- Keys appearing as  cannot be used.

## Displays and Key Operations

### Note

- The screen displayed when the power has been turned on is [Copy] which is the factory set default. This setting can be changed when initializing the system.
- The following illustrations are examples for the machine with the options installed. See "Options" in the "Copy Reference" manual.

### ❖ Initial print display



1. Operational status or messages.
2. The current settings as well as the functions which can be selected are displayed.

### Note

- The item which is currently selected or specified is highlighted.

---

## Common Key Operation

---

The following keys can be used in all screens.

### ❖ Key explanations

[OK]	Acknowledges a selected function or entered values, and then returns to the previous screen.
[Cancel]	Deletes a selected function or entered values, and then returns to the previous screen.
[▲Prev.] [▼Next]	Moves to the previous page or the next page when all the functions cannot be displayed on one page.
[OK]	Closes message screens.
[Clear]	Clears entered values and does not change the screen.
[Exit]	Acknowledges selected functions or entered values, and returns to the previous screen.

---

## Online/Offline

---

When the printer is online, it can receive data from the computer.



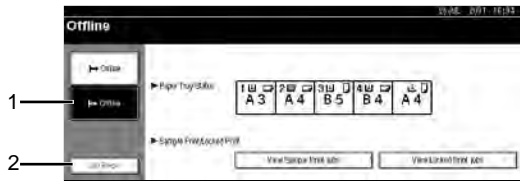
### 1. [Online] key

Press this key to switch the printer online. The preceding illustration shows the online status.

### 2. [Job Reset] key

Press this key to cancel the current print job.

When the printer is offline, it cannot receive data from the computer.



### 1. [Offline] key

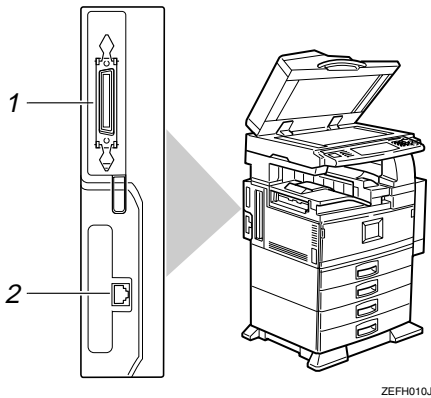
Press this key to switch the printer of-  
fline. The preceding illustration shows  
the offline status.

### 2. [Job Reset] key

Press this key to cancel the current print  
job.

# Connecting the Machine

1 Confirm that the shape and the position of the connector are as shown in the illustration.



## 1. Parallel Port

## 2. 10BASE-T/100BASE-TX (option)

---

## Requirements

---

### Requirements

---

Before using this machine, confirm that all the environmental and electrical requirements have been met. Connect the machine to the host computer using the parallel port, Network Interface Board, or both.

Confirm that all the cables, connectors, and electrical outlets necessary to attach the machine to the host computer or network are present.

### **Important**

- The interface cable is not supplied in the box. It is your responsibility to provide the interface cable appropriate for the computer that you are using.

### **Reference**

For more information about using the parallel port, see P.13 *“Connecting the Machine to the Host Using the Parallel Interface Cable”*.

For more information about using a network, see P.11 *“Network cable requirements”*.

## Network cable requirements

Network Interface Board can be installed to allow direct connection to an Ethernet network.

Network Interface Board supports 10BASE-T or 100BASE-TX connections.

You can use the machine in the following network environments:

- Using the appropriate network management software and printer driver.
- Attaching the machine to a networked computer set up as a server.

<b>Client</b>	Windows 95, 98, Windows 2000, Windows NT 4.0, *1, Mac OS (optional PostScript 3 Kit Type 850 is required )
<b>Driver</b>	PCL 6/5e, PostScript 3
<b>File Server</b>	NetWare 3.x, NetWare 4.x, NetWare 5
<b>Protocol</b>	TCP/IP, IPX/SPX, AppleTalk

\*1 Under Windows NT 4.0, only x 86 CPU is supported.

In a mixed network environment, the protocol switches automatically.

### Reference

For more information about resolving network connection problems.

### Note

- Consult your network administrator before connecting the machine to a network.
- Be sure to use properly shielded and grounded cable (STP, Category/Type5) for the connection to the host computer (and/or HUB) in order to meet FCC and EMC Directive 89/336/EEC emission guidelines.

## Parallel cable requirements

Connect the machine to the host computer using a parallel port. This machine does not provide the parallel cable to connect the machine to the host computer.

The machine's parallel interface is a standard bi-directional interface. It requires a standard 36-pin parallel cable compliant with IEEE 1284 and a parallel port available on the host computer.

### Note

- Do not use a parallel cable that is longer than 3 meters (10 feet).

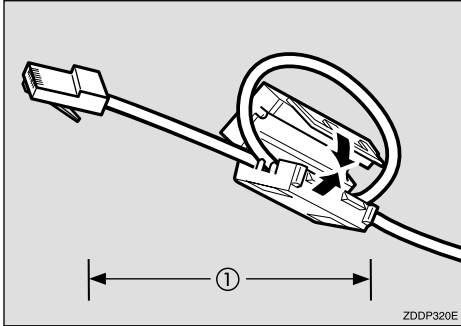
## Connecting the Network Interface Cable to the Network

**1** Turn off the power switch.

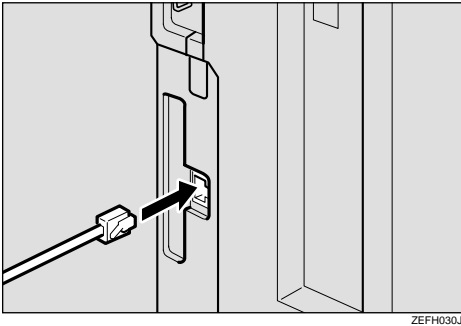
**2** Loop the network interface cable and attach the ferrite core.

**Note**

- ❑ The network interface cable loop should be about 15 cm (6") (①) from the end of the cable (on the end closer to the printer). The ferrite core at the end of the cable should be a ring type ferrite core.

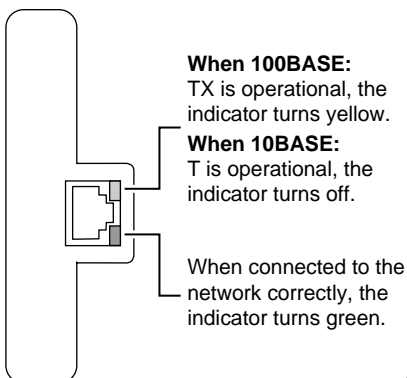


- 3** Attach the network interface cable to the jack on the board.



- 4** Connect the other end of the network interface cable to the network.
- 5** Turn on the power switch.

❖ **Indicators on Network Interface Board**



## Connecting the Machine to the Host Using the Parallel Interface Cable

Connect the machine to the host computer using a parallel interface cable compliant with IEEE 1284 (supplied by you).

Follow these steps to connect the machine to the host computer.

- 1** Turn off the power switch.
- 2** Plug the 36-pin end of the parallel cable into the parallel port at the right side of the back cover of the machine.

### Reference

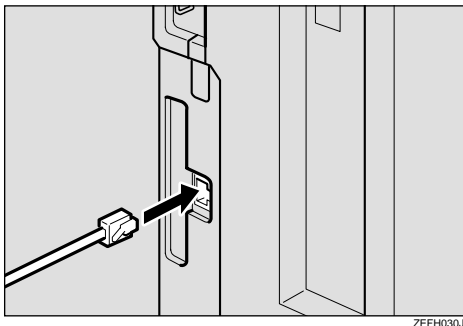
See P.10 “Connecting the Machine” to confirm the position of the parallel port.

- 3** Squeeze the wire clips on each side of the connector together until they snap into place. The clips hold the cable securely in place.
- 4** Plug the other end of the parallel cable into the computer's parallel port.

## Connecting the 1394 Interface Cable to the Machine

- 1** Attach the 1394 interface cable to the jack on the board.

Both jacks are available.



- 2** Connect the other end of the 1394 interface cable to the computer or the other IEEE 1394 node.

### Note

- The 1394 Interface Unit could not receive data from more than one PC at the same time. In this case, an error message appears. The printer can accept data sent from other PCs, after the first print job has finished.
- The bidirectional transmissions are not supported by the 1394 Interface Unit.

1

- ❑ When the 1394 Interface Unit is installed successfully, the printer icon automatically changes from “Use Printer Offline” to “Ready”, according to the 1394 interface cable plug.
- ❑ After installing the last option that you want, print a configuration page to confirm the installation. If the new device is listed in the column of configuration options, then it has been properly installed. For more information about printing a configuration page, see “xxxxxxxxxxxxx”.



### **1394 Interface Unit specification**

#### ❖ **Interface Connector:**

IEEE 1394 (6 pin × 2)

#### ❖ **Required cable:**

1394 interface cable (6 pin × 4 pin, 6 pin × 6 pin)

#### **Important**

- ❑ You cannot plug devices together so as to create loops.
- ❑ Do not use a cable more than 4.5 meters (14.8 feet) long.

#### ❖ **Connectable number of device in a bus**

Maximum 63

#### ❖ **Allowed cable hops in a bus**

Maximum 16

#### ❖ **Power supply**

Non power supply



# 2. Installing the Printer Driver and Software

This manual assumes that you are familiar with general Windows procedures and practices. If you are not, see the documentation that comes with Windows for details.

## Installation Method

The following table shows how to install the printer drivers and software.

	Auto Run <sup>*1</sup>			Add Printer Wizard
	Typical <sup>*2</sup>	Network <sup>*3</sup>	Custom <sup>*4</sup>	
PCL 6 printer driver	<input type="radio"/>	<input type="radio"/>	<input type="radio"/>	
PCL 5e printer driver			<input type="radio"/>	
RPCS printer driver	<input type="radio"/>	<input type="radio"/>	<input type="radio"/>	
PostScript printer driver				<input type="radio"/>
Agfa Font Manager			<input type="radio"/>	
SmartNetMonitor for Admin			<input type="radio"/>	
SmartNetMonitor for client		<input type="radio"/>	<input type="radio"/>	
LAN-Fax Driver				
DeskTop Binder V2 Lite				
Address Book				
1394 Utility				

<sup>\*1</sup> Available operating systems are as follows: Windows 95/98/Me, Windows 2000, Windows NT 4.0

<sup>\*2</sup> Recommended for most users.

<sup>\*3</sup> Recommended for network printing users.

<sup>\*4</sup> Recommended for expert users.

### Reference

For more information about the printer drivers, see P.2 “Printer Drivers for This Machine”. For installing the printer drivers, see P.18 “Installing the PCL 6/5e Printer Driver”, P.22 “Installing the RPCS Printer Driver” or P.25 “Installing the PostScript Printer Driver”.

For more information about the software and utilities, see P.4 “Software and Utilities Included on the CD-ROM”.

### Important

- Before starting this installation, close all documents and applications. In a network environment, confirm that users who are logged on are disconnected. Be sure to do this when it will create the least interference with other users.

- After installing a printer driver, you must restart the computer.

 **Note**

- If the “plug and play” function is started, click **[Cancel]** in the **[New Hardware Found]**, **[Device Driver Wizard]** or **[Found New Hardware Wizard]** dialog box, and then insert the CD-ROM. The **[New Hardware Found]**, **[Device Driver Wizard]** or **[Found New Hardware Wizard]** dialog box appears depending on the system version of the Windows 95/98/Me or Windows 2000.
- The appropriate language name is used for the CD-ROM folder: ENGLISH (English), DEUTSCH (German), FRANCAIS (French), ITALIANO (Italian), ESPANOL (Spanish), NEDRLNDS (Dutch), NORSK (Norwegian), DANSK (Danish), SVENSKA (Swedish), POLSKI (Polish), PORTUGUS (Portuguese), SUOMI (Finnish), MAGYAR (Hungarian), CESKY (Czech)

# Installing by Auto Run

You can install the PCL and the RPCS printer drivers and software, and set them up easily by using Auto Run.

Follow these steps to install the PCL and the RPCS printer drivers and software on Windows 95/98/Me, Windows 2000, Windows NT 4.0.

## Limitation

- If your system is Windows 2000 or Windows NT 4.0, installing a printer driver by Auto Run requires Administrators permission. When you install a printer driver by Auto Run, log on using an account that has Administrators permission.

## Note

- Auto Run might not automatically work with certain OS settings. In this case, launch "INSTTOOL.EXE" located on the CD-ROM root directory.
- If you want to install without using Auto Run, hold down the **[SHIFT]** key (when your system is Windows 2000, hold down the left **[SHIFT]** key) while inserting the CD-ROM. Keep the **[SHIFT]** key held down until the computer has finished accessing the CD-ROM.

If **[Cancel]** is pressed during installation, the installation will be stopped and the remaining software will not be installed. If **[Cancel]** has been pressed, re-install the remaining software after restarting the computer.

- 1** Close all applications that are running.
- 2** Insert the CD-ROM into the CD-ROM drive.
- 3** Follow the instructions on the screen.
- 4** Restart the computer after installation is complete.
- 5** Set up the options with the printer driver.

# Installing the PCL 6/5e Printer Driver

---

## Windows 95/98/Me - Installing the PCL 6/5e Printer Driver

---

### Installing the printer driver

---

Install the driver by using Auto Run ⇒ P.17 “*Installing by Auto Run*” .

Two kinds of PCL printer driver, PCL 6 and PCL 5e, are provided with this printer. We recommend PCL 6 as your first choice.

#### **Note**

- Some of your applications might require the installation of the PCL 5e printer driver. In this case, you can install PCL 5e by using custom installation.
- When prompted for the Windows 95/98Me alternate driver location, select one of the following folders on the CD-ROM:
  - PCL 6  
  \DRIVERS\PCL6\WIN9X\_ME\ (Language)\DISK1\
  - PCL 5e  
  \DRIVERS\PCL5E\WIN9X\_ME\ (Language)\DISK1\

---

### Setting up options

---

#### **Important**

- If the machine is equipped with certain options (e.g. the Paper Feed Unit or the Memory Unit), you should set up the options with the printer driver.

#### **Note**

- When setting up options, you should access the **[Printer Properties]** dialog box from Windows. You cannot set up options by accessing the **[Printer Properties]** dialog box from an application.

**1** Click **[Start]** on the taskbar, point to **[Settings]**, and then click **[Printers]**.

The **[Printers]** window appears.

**2** Click the icon of the printer you want to use. On the **[File]** menu, click **[Properties]**.

**3** Click the **[Accessories]** tab.

**4** Select options you have installed from the **[Options]** group.

**5** Click **[OK]** .

---

## Windows 2000 - Installing the PCL 6/5e Printer Driver

---

---

### Installing the printer driver

---

Install the driver by using Auto Run ⇒ P.17 “*Installing by Auto Run*”.

Two kinds of PCL printer driver, PCL 6 and PCL 5e, are provided with this printer. We recommend PCL 6 as your first choice.

 **Note**

- Some of your applications might require the installation of the PCL 5e printer driver. In this case, you can install PCL 5e by using custom installation.

 **Limitation**

- Installing a printer driver by Auto Run requires Administrators permission. When you install a printer driver by Auto Run, log on using an account that has Administrators permission.

 **Note**

- During installation, the **[Digital Signature Not Found]** dialog box appears. In this case, click **[Yes]** to continue the installation.
- When prompted for the Windows 2000 alternate driver location, select one of the following folders on the CD-ROM:
  - PCL 6  
  \DRIVERS\PCL6\WIN2000\Language\DISK1\
  - PCL 5e  
  \DRIVERS\PCL5E\WIN2000\Language\DISK1\

---

### Setting up options

---

 **Limitation**

- Changing the printer settings requires Manage Printers permission. Members of the Administrators and Power Users groups have Manage Printers permission by default. When you set up options, log on using an account that has Manage Printers permission.

 **Important**

- If the machine is equipped with certain options (e.g. the Paper Feed Unit or the Memory Unit), you should set up the options with the printer driver.

 **Note**

- When setting up options, you should access the **[Printer Properties]** dialog box from Windows. You cannot set up options by accessing the **[Printer Properties]** dialog box from an application.

 Click **[Start]** on the taskbar, point to **[Settings]**, and then click **[Printers]**.

The **[Printers]** window appears.

- 2** Click the icon of the printer you want to use. On the **[File]** menu, click **[Properties]**.
- 3** Click the **[Accessories]** tab.
- 4** Select options you have installed from the **[Options]** group.
- 5** Click **[OK]**.

2

---

## Windows NT 4.0 - Installing the PCL 6/5e Printer Driver

---

---

### Installing the printer driver

---

#### **Limitation**

- Installing a printer driver by Auto Run requires Administrators permission. When you install a printer driver by Auto Run, log on using an account that has Administrators permission.

Install the driver by using Auto Run ⇒ P.17 “*Installing by Auto Run*”.

Two kinds of PCL printer driver, PCL 6 and PCL 5e, are provided with this printer. We recommend PCL 6 as your first choice.

#### **Note**

- Some of your applications might require the installation of the PCL 5e printer driver. In this case, you can install PCL 5e by using custom installation.
- When prompted for the Windows NT 4.0 alternate printer driver location, select one of the following folders on the CD-ROM:
  - PCL 6  
  \DRIVERS\PCL6\NT4\ (Language)\DISK1\
  - PCL 5e  
  \DRIVERS\PCL5E\NT4\ (Language)\DISK1\

---

### Setting up options

---

#### **Limitation**

- Changing the setting of the printer requires Full Control access permission. Members of the Administrators, Server Operators, Print Operators, and Power Users groups have Full Control permission by default. When you set up options, log on using an account that has Full Control permission.

#### **Important**

- If the printer is equipped with certain options (e.g. the Paper Feed Unit or the Memory Unit), you should set up the options with the printer driver.

 **Note**

- When setting up options, you should access the **[Printer Properties]** dialog box from Windows. You cannot set up options by accessing the **[Printer Properties]** dialog box from an application.

**1** Click **[Start]** on the taskbar, point to **[Settings]**, and then click **[Printers]**.

The **[Printers]** window appears.

**2** Click the icon of the printer you want to use. On the **[File]** menu, click **[Properties]**.

**3** Click the **[Accessories]** tab.

**4** Select options you have installed from the **[Options]** group.

**5** Click **[OK]**.

# Installing the RPCS Printer Driver

---

## Windows 95/98/Me - Installing the RPCS Printer Driver

---

### Installing the printer driver

---

Install the driver by using Auto Run ⇒ P.17 “*Installing by Auto Run*” .

 **Note**

- When prompted for the Windows 95/98/Me alternate printer driver location, select the following folder on the CD-ROM. \DRIVERS\RPCS\WIN9X\_ME\(\Language)\DISK1\

---

### Setting up options

---

 **Important**

- If the machine is equipped with certain options (e.g. the Paper Feed Unit or the Memory Unit), you should set up the options with the printer driver.
- You must set the correct paper size and feed direction that matches tray settings on the printer driver.

 **Note**

- When setting up options, you should access the **[Printer Properties]** dialog box from Windows. You cannot set up options by accessing the **[Printer Properties]** dialog box from an application.

**1** Click **[Start]** on the taskbar, point to **[Settings]**, and then click **[Printers]**.

The **[Printers]** window appears.

**2** Click the icon of the printer you want to use. On the **[File]** menu, click **[Properties]**.

**3** Click the **[Print Settings]** tab.

**4** Click **[Printer Configuration...]**.

**5** Click **[Change Accessories...]**.

**6** Select options you have installed from the **[Select printer options:]** box.

**7** Make settings and click **[OK]**.

**8** Click **[OK]** to close the **[Printer Configuration]** dialog box.

**9** Click **[OK]** to start printing.

---

## Windows 2000 - Installing the RPCS Printer Driver

---

### Installing the printer driver

---

Install the driver by using Auto Run ⇒ P.17 “*Installing by Auto Run*” .

#### Limitation

- Installing a printer driver by Auto Run requires Administrators permission. When you install a printer driver by Auto Run, log on using an account that has Administrators permission.

#### Note

- During installation, the **[Digital Signature Not Found]** dialog box appears. Click **[Yes]** to continue the installation.
- When prompted for the Windows 2000 alternate driver location, select the following folder on the CD-ROM. \DRIVERS\RPCS\WIN2000\ (Language)\DISK1\

---

### Setting up options

---

#### Limitation

- Changing the printer settings requires Manage Printers permission. Members of the Administrators and Power Users groups have Manage Printers permission by default. When you set up options, log on using an account that has Manage Printers permission.

#### Important

- If the machine is equipped with certain options (e.g. the Paper Feed Unit or the Memory Unit), you should set up the options with the printer driver.
- You must set the correct paper size and feed direction that matches tray settings on the printer driver.

#### Note

- When setting up options, you should access the **[Printer Properties]** dialog box from Windows. You cannot set up options by accessing the **[Printer Properties]** dialog box from an application.

#### **1** Click **[Start]** on the taskbar, point to **[Settings]**, and then click **[Printers]**.

The **[Printers]** window appears.

#### **2** Click the icon of the printer you want to use. On the **[File]** menu, click **[Properties]**.

#### **3** Click the **[Accessories]** tab.

#### **4** Select options you have installed from the **[Options]** group.

#### **5** Click **[OK]** .

---

## Windows NT 4.0 - Installing the RPCS Printer Driver

---

---

### Installing the printer driver

---

#### Limitation

- Installing a printer driver by Auto Run requires Administrators permission. When you install a printer driver by Auto Run, log on using an account that has Administrators permission.

Install the driver by using Auto Run ⇒ P.17 “*Installing by Auto Run*” .

#### Note

- When prompted for the Windows NT 4.0 alternate printer driver location, select the following folder on the CD-ROM. \DRIVERS\RPCS\NT4\ (Language)\DISK1\

---

### Setting up options

---

#### Limitation

- Changing the setting of the printer requires Full Control access permission. Members of the Administrators, Server Operators, Print Operators, and Power Users groups have Full Control permission by default. When you set up options, log on using an account that has Full Control permission.

#### Important

- If the printer is equipped with certain options (e.g. the Paper Feed Unit or the Memory Unit), you should set up the options with the printer driver.
- You must set the correct paper size and feed direction that matches tray settings on the printer driver.

#### Note

- When setting up options, you should access the **[Printer Properties]** dialog box from Windows. You cannot set up options by accessing the **[Printer Properties]** dialog box from an application.

**1** Click **[Start]** on the taskbar, point to **[Settings]**, and then click **[Printers]**.  
The **[Printers]** window appears.

**2** Click the icon of the printer you want to use. On the **[File]** menu, click **[Properties]**.

**3** Click the **[Change Accessories]** tab.

**4** Select options you have installed from the **[Select Printer Options:]** box.

**5** Click **[OK]** .

# Installing the PostScript Printer Driver

This section describes basic instructions for installing the PostScript printer driver. The actual procedure may vary depending on the operating system. Follow one of the appropriate procedures below.

## Important

- When updating the printer driver by installing the latest version, you should uninstall that of former version if any. See “*Uninstalling the Printer Driver and Software*” in the Printer Reference 2 provided as a PDF file on the CD-ROM labeled “Operating Instructions”.

---

## Windows 95/98/Me - Installing the PostScript Printer Driver

---

### Installing the printer driver

---

## Important

- Be sure to install the PPD file for Windows 95/98/Me. Do not accidentally install the PPD file for Windows 2000 or Windows NT 4.0.

**1** Close all applications that are currently running.

**2** Click **[Start]** on the taskbar, point to **[Settings]**, and then click **[Printers]**.  
The **[Printers]** window appears.

**3** Double-click the **[Add Printers]** icon.  
**[Add Printer Wizard]** starts.

**4** Click **[Next]**.

**5** Check **[Local Printer]** and click **[Next]**.  
A dialog box for selecting the printer manufacturer and model name appears.

**6** Click **[Have Disk]**.  
A dialog box for installing the printer driver from a disk appears.

**7** Hold down the **[SHIFT]** key and insert the CD-ROM into the CD-ROM drive. Keep the **[SHIFT]** key held down until the computer has finished accessing the CD-ROM.

If the Auto Run program starts, click **[Cancel]**.

**8** Click **[Browse]**.

**9** Use the **[Drives:]** list box to select the CD-ROM drive.

- 10** In the **[Folders:]** box, double-click **[DRIVERS]**, **[PS]**, **[WIN9X\_ME]**. Then double-click the folder of the appropriate language for the operating system. Finally, click **[DISK1]**.
- 11** Click **[Open]**.
- 12** Click **[OK]**.
- 13** Click to select the name of the printer whose driver you want to install, and then click **[Next]**.
- 14** In the **[Available ports:]** box, click to select **[Printer Port]**, and then click **[Next]**.
- 15** Change the name of the printer if you want, and then click **[Next]**.
- 16** Select whether or not you want to print a test page, and then click **[Finish]**.
- 17** If you are asked whether you want to restart Windows, select **[Yes]**. If you are not asked, restart Windows after completing the installation.

---

### Setting up options

---

#### Important

- If the machine is equipped with certain options (e.g. the Paper Feed Unit or the Memory Unit), you should set up the options with the printer driver.

- 1** Click **[Start]** on the taskbar, point to **[Settings]**, and then click **[Printers]**.  
The **[Printers]** window appears.
- 2** Click to select the icon of the printer you want to use.
- 3** On the **[File]** menu, click **[Properties]**.  
The **[Printer Properties]** dialog box appears.
- 4** Click the **[Accessories]** tab.
- 5** In the **[Options]** group, select the option you have installed to the printer.
- 6** Use the **[Change settings for:]** list box to select the appropriate setting for the selected option.
- 7** Click **[Apply]** to apply the settings you made.
- 8** Repeat steps **5** – **7** for all options.
- 9** After making all settings for options, click **[OK]**.

---

## Windows 2000 - Installing the PostScript Printer Driver

---

---

### Installing the printer driver

---

#### Limitation

- Installing a printer driver requires Manage Printers permission. Members of the Administrators, and Power Users groups have Manage Printers permission by default. When you install a printer driver, log on using an account that has Manage Printers permission.

#### Important

- Be sure to install the PPD file for Windows 2000. Do not accidentally install the PPD file for Windows 95/98/Me or Windows NT 4.0.

**1** Close all applications that are currently running.

**2** Click **[Start]** on the taskbar, point to **[Settings]**, and then click **[Printers]**.  
The **[Printers]** window appears.

**3** Double-click the **[Add Printers]** icon.  
**[Add Printer Wizard]** starts.

**4** After confirming that the **[Local Printer]** option is selected, click **[Next]**.  
A dialog box for selecting the printer port appears.

**5** Check the check box of the port you want to use, and then click **[Next]**.  
A dialog box for selecting the printer manufacturer and model name appears.

**6** Click **[Have Disk]**.  
A dialog box for installing the driver from a disk appears.

**7** Hold down the left **[SHIFT]** key and insert the CD-ROM into the CD-ROM drive. Keep the left **[SHIFT]** key held down until the computer has finished accessing the CD-ROM.

If the Auto Run program starts, click **[Cancel]**.

**8** Change the drive name in the list box to the name of the CD-ROM drive, and then click **[Browse]**.

**9** In the **[Folders:]** box, double-click **[DRIVERS]**, **[PS]**, **[WIN2000]**. Then double-click the folder of the appropriate language for the operating system. Finally, click **[DISK1]**.

**10** Click **[Open]**.

**11** Click **[OK]**.

A printer model selection dialog box appears.

- 12** Click to select the name of the printer whose driver you want to install, and then click **[Next]**.

A dialog box for changing the printer name appears.

- 13** Change the name of the printer if you want, and then click **[Next]**.

- 14** Click **[Next]**.

- 15** In the next dialog box you will be asked to print a test page, select **[No]** and then click **[Next]**.

A confirmation dialog box appears.

- 16** Confirm the settings you have set, and then click **[Finish]**.

The installer copies the printer driver files from the CD-ROM to the computer's hard disk.

- 17** Set up the options with the printer driver.

- 18** Restart the Windows.

 **Note**

- Print a test page after completing installation.

---

## Setting up options

---

 **Limitation**

- Changing the setting of the printer requires Manage Printers permission. Members of the Administrators and Power Users groups have Manage Printers permission by default. When you set up options, log on using an account that has Manage Printers permission.

 **Important**

- If the machine is equipped with certain options (e.g. the Paper Feed Unit or the Memory Unit), you should set up the options with the printer driver.

- 1** Click **[Start]** on the taskbar, point to **[Settings]**, and then click **[Printers]**.

The **[Printers]** window appears.

- 2** Click the icon of the printer you want to use. On the **[File]** menu, click **[Properties]**.

- 3** Click the **[Device Settings]** tab.

- 4** Use the **[Installable Options]** group to select the options, and then select **[Installed]** or **[Not] Installed** from the drop-down list box.

- 5** Repeat steps **4** for all options.

- 6** After making all settings you want, click **[OK]**.

---

## Windows NT 4.0 - Installing the PostScript Printer Driver

---

---

### Installing the printer driver

---

#### Limitation

- Installing a printer driver requires Full Control access permission. Members of the Administrators, Server Operators, Print Operators, and Power Users groups have Full Control permission by default. When you install a printer driver, log on using an account that has Full Control permission.

#### Important

- The CD-ROM containing the Windows NT Server operating system version 4.0, or the Windows NT Workstation operating system is required for installing the printer driver.
- We recommend that you upgrade the Windows NT 4.0 operating system to Service Pack 4 or later before installing the printer driver. Contact your Windows retailer for more information about the latest version available.
- Be sure to install the PPD file for Windows NT 4.0. Do not accidentally install the PPD file for Windows 95/98/Me or Windows 2000.

**1** Close all applications that are currently running.

**2** Click **[Start]** on the taskbar, point to **[Settings]**, and then click **[Printers]**.  
The **[Printers]** window appears.

**3** Double-click the **[Add Printers]** icon.  
**[Add Printer Wizard]** starts.

**4** After confirming that the **[My Computer]** option is selected, click **[Next]**.  
A dialog box for selecting the printer port appears.

**5** Check the check box of the port you want to use, and then click **[Next]**.  
A dialog box for selecting the printer manufacturer and model name appears.

**6** Click **[Have Disk]**.  
A dialog box for installing the driver from a disk appears.

**7** Hold down the **[SHIFT]** key and insert the CD-ROM into the CD-ROM drive. Keep the **[SHIFT]** key held down until the computer has finished accessing the CD-ROM.

If the Auto Run program starts, click **[Cancel]**.

**8** Change the drive name in the list box to the name of the CD-ROM drive, and then click **[Browse]**.

**9** In the **[Folders:]** box, double-click **[DRIVERS]**, **[PS]**, **[NT4]**. Then double-click the folder of the appropriate language for the operating system. Finally, click **[DISK1]**.

**10** Click **[Open]**.

**11** Click **[OK]**.

A printer model selection dialog box appears.

**12** Click to select the name of the printer whose driver you want to install, and then click **[Next]**.

A dialog box for changing the printer name appears.

**13** Change the name of the printer if you want, and then click **[Next]**.

**14** Click **[Next]**.

**15** In the next dialog box asking if you want to print a test page, select **[No]** and then click **[Finish]**.

The installer copies the printer driver files from the CD-ROM to the computer's hard disk.

 **Note**

Print a test page after completing installation and restarting Windows.

**16** If you are asked whether you want to restart Windows, select **[Yes]**. If you are not asked, restart Windows after completing the installation.

---

## Setting up options

---

 **Limitation**

Changing the setting of the printer requires Full Control access permission. Members of the Administrators, Server Operators, Print Operators, and Power Users groups have Full Control permission by default. When you setup options, log on using an account that has Full Control permission.

 **Important**

If the printer is equipped with certain options (e.g. the Paper Feed Unit or the Memory Unit), you should set up the options with the printer driver.

**1** Click **[Start]** on the taskbar, point to **[Settings]**, and then click **[Printers]**.

The **[Printers]** window appears.

**2** Click to select the icon of the printer you want to use.

**3** On the **[File]** menu, click **[Properties]**.

The **[Printer Properties]** dialog box appears.

- 4** Click the **[Device Settings]** tab.
- 5** In the **[Installable Options]** group, select the option you have installed to the printer.  
The current setting appears in the **[Change Setting]** box.
- 6** Use the **[Change Setting:]** list to select the appropriate setting for the selected option.
- 7** Repeat steps **5** – **6** for all options.
- 8** After making all option settings, click **[OK]**.

### **The conditions of the bidirectional transmissions**

When the bidirectional transmissions is enabled, the information about the paper size and feed direction settings are automatically sent to the printer by the computer. You can also confirm the machine's condition from your computer.

- The bidirectional transmissions is supported by Windows 95/98/Me, Windows 2000 and Windows NT 4.0.
- When the bidirectional transmission function is working, the printer status and information are obtained when opening the printer driver screen.

To support the bidirectional transmissions, the following conditions below are required.

#### ❖ **Connecting with the parallel interface cable.**

- The computer supports the bidirectional transmissions.
- The Interface cable supports the bidirectional transmissions.
- The machine is connected to the computer using the standard parallel interface cable and the parallel connector.
- On Windows 95/98/Me, the **[Enable bi-directional support for this printer]** is selected in the **[Spool Settings...]** on the **[Details]** tab.
- On Windows 2000 and Windows NT 4.0, the **[Enable bi-directional support]** is selected and **[Enable printer spooling]** is not selected on the **[port]** tab.

#### ❖ **Connecting with the network**

- On Windows 95/98/Me, the **[Enable bi-directional support for this printer]** is selected in the **[Spool Settings...]** on the **[Details]** tab.
- On Windows 2000 and Windows NT 4.0, the **[Enable bi-directional support]** is selected and **[Enable printer spooling]** is not selected on the **[port]** tab.

## Using Adobe PageMaker Version 6.0 or 6.5

If you use the machine under Windows 95/98/Me, Windows 2000, Windows NT 4.0 with Adobe PageMaker, you need to copy the PPD file to the PageMaker folder.

2

The PPD file is the file with extension “.ppd”. It is in the folder “DRIVERS\PS\WIN9X\_ME\ (Language)\DISK1\” on the CD-ROM.

The **[WIN9X\_ME]** folder, inside the **[PS]** folder is for the Windows 95/98/Me operating system. Use the folder at this level that is appropriate for the operating system you are using.

The third folder, “(Language)” may be substituted by an appropriate language name.

Copy this file to the PageMaker folder.

For PageMaker 6.0 default installation, the folder is “C:\PM6\RSRC\PPD4”, and for PageMaker 6.5 default installation, the directory is “C:\PM65\RSRC\USEGLISH\PPD4”. The “USEGLISH” may vary depending on your language selection.

### Reference

For more information about the language name, see P.17 “*Installing by Auto Run*”.

---

# Macintosh

---

## Macintosh - Installing the PostScript Printer Driver

---

It is necessary to install a printer driver and a PPD file to print from a Macintosh. Follow these steps to install a printer driver and a PPD file into a Macintosh using a system 7.6.1 or later operating system.

- 1** Insert the CD-ROM into the CD-ROM drive.
- 2** Double-click the CD-ROM icon.
- 3** Double-click the [PS Driver] folder.
- 4** Double-click the folder of the language you use.
- 5** Open [Disk1] and double-click the installer icon.
- 6** Follow the instructions on the screen.
- 7** Double-click [Extensions].
- 8** Double-click [Printer Descriptions].
- 9** Double-click the CD-ROM icon on the desktop.
- 10** Double-click [Disk1] in the folder of the language you use.
- 11** Click and drag the PPD file into [Printer Descriptions].
- 12** Click and drag the "AP2600 Plugin" file into [Printer Descriptions] in [Extensions] in [System Folder].
- 13** Restart the Macintosh.

---

## Setting Up the PPD File

---

### Preparation

Confirm that the printer is connected to an AppleTalk network before performing the following procedure.

- 1** On the [Apple] menu, select [Chooser].
- 2** Click the [Adobe PS] icon.
- 3** In the [Select a PostScript Printer:] list, click the name of the printer you want to use.

**4** Click **[Create]**.

**5** Click the printer you want to use, and then click **[Select]**.

The PPD file is set up, and the **[Adobe PS]** icon appears at the left of the printer name in the list. Next, follow the procedure on P.34 “*Setting Up Options*” to make the option settings, or close the **[Chooser]** dialog box.

## 2

---

### Setting Up Options

---

**1** On the **[Apple]** menu, select **[Chooser]**.

**2** Click the **[Adobe PS]** icon.

**3** In the **[Select the PostScript Printer:]** list, click the name of the printer you want to use, and then click **[Setup]**.

**4** Click **[Configure]**.

A list of options appears.

**5** Select the option you want to set up and select the appropriate setting for it.

 **Note**

If the option you want to set up is not displayed, the PPD file might not be set up correctly. Check the name of the PPD file shown in the dialog box.

**6** Click **[OK]**.

The list of options closes.

**7** Click **[OK]**.

The **[Chooser]** dialog box appears.

**8** Close the **[Chooser]** dialog box.

# INDEX

---

10BASE-T/100BASE-TX, 10

## A

---

Address Book, 5  
Agfa Font Manager, 4  
Auto Run, 17

## C

---

Clear/Stop key, 6  
Control Panel, 6

## D

---

DeskTop Binder V2 Lite, 4  
Display, 7  
Display panel, 6,7

## E

---

Energy Saver key, 6

## F

---

Function Status indicator, 7

## I

---

Indicators, 6

## L

---

LAN-Fax Driver, 4

## M

---

Main power indicator, 6

## N

---

Network Connections, 11  
Network Printing Guide Operating  
Instructions, ii  
Number keys, 6

## O

---

Operation switch, 6  
Option, 6

## P

---

PageMaker 6.0 or 6.5, 32  
Parallel Cable, 11, 13  
Parallel Port, 10  
PCL 5e, 2  
PCL 6, 2  
PCL 6/5e  
    *Windows 2000, Install*, 19  
    *Windows 95/98/Me, Install*, 18  
    *Windows NT 4.0, Install*, 20  
PostScript, 3  
    *Macintosh, Install*, 33  
    *Windows 2000, install*, 27  
    *Windows 95/98/Me, install*, 25  
    *Windows NT 4.0, install*, 29  
PostScript printer driver, 25  
printer driver, 2  
Printer Reference 1, ii  
Printer Reference 2, ii

## R

---

RPCS  
    *Windows 2000, Install*, 23  
    *Windows 95/98/Me, Install*, 22  
    *Windows NT 4.0, Install*, 24

## S

---

SmartNetMonitor for Admin, 4  
SmartNetMonitor for client, 4

## U

---

User Tools/Counter key, 6

## W

---

Windows 2000  
    *PCL 6/5e, Install*, 19  
    *PostScript, Install*, 27  
    *RPCS, Install*, 23  
Windows 95/98/Me  
    *PCL 6/5e, Install*, 18  
    *PostScript, Install*, 25  
    *RPCS, Install*, 22  
Windows NT 4.0  
    *PCL 6/5e, Install*, 20  
    *PostScript, Install*, 29  
    *RPCS, Install*, 24